



Muzzleloading Center

by Tom Woithe, Epping, New Hampshire

This workstation will make your task of teaching muzzleloading much simpler and organized. The unit is easy to build, quickly clamps onto any tabletop and is easy to pack and transport to the classroom or to the firing range. Once it's installed you can place your powder canisters, ramrods, bullets, patches and the muzzleloader in specially designed areas. All of the equipment you'll need to teach class will be conveniently located and professionally organized when you need it.

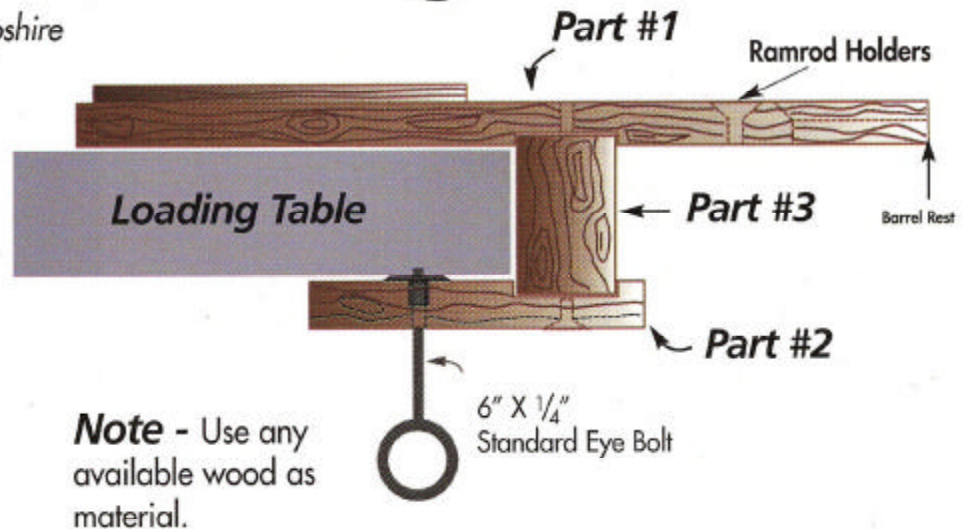
This unit can be built from any available lumber or from a 5-inch board that's economically purchased at a lumber center. Some drilling and sawing is required. You will need a table saw to cut some of the parts and mill dados (grooves) in parts 1 and 2. The hardware (t-nut and eye-bolt) is readily available at any building supply store. All edges should be sanded and checked for splinters.

If you have questions about this project, contact: Jim Smith, Shooting Sports Development Director, Route 1, Box 31, Alton, NH 03809 or call (603)875-4822.

Materials

- 1- 15 X 5 X 3/4" Hardwood or Plywood
- 1- 6 X 5 X 3/4" Hardwood or Plywood
- 1- 5 X 2 1/2" X 1 7/8" Hardwood
- 2- 6 1/2 X 3/4" X 1/4" Hardwood
- 2- 2 7/8 X 3/4" X 1/4" Hardwood
- 1- 6 X 1/4" Eye Bolt
- 1- 1/4" ID T-Nut
- Glue, 1 5/8" Drywall Screw

Q: Do you have a do-it-yourself project that produces a great teaching aid for hunter education classes? If so, we would like to learn about it. Send details to: *Hunter Education Journal*, Attn: Projects, P.O. Box 3443, Minnetonka, MN 55343.



Note - Use any available wood as material.

