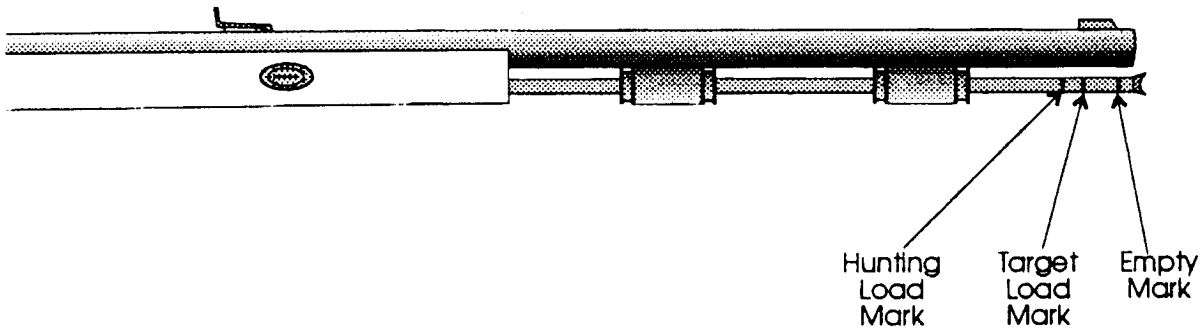
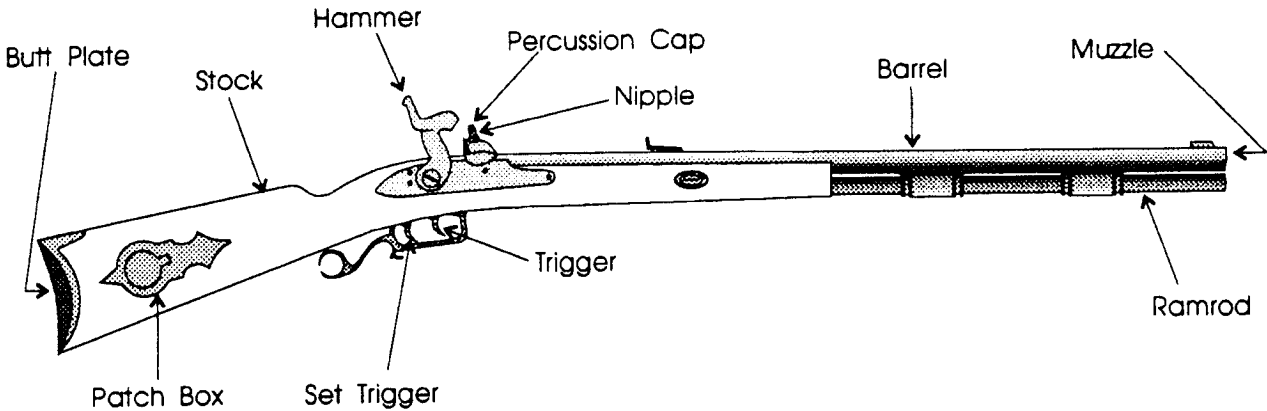


Muzzle Loading



© IHEA 1998



Department of Justice Canada

Ministère de la Justice du Canada